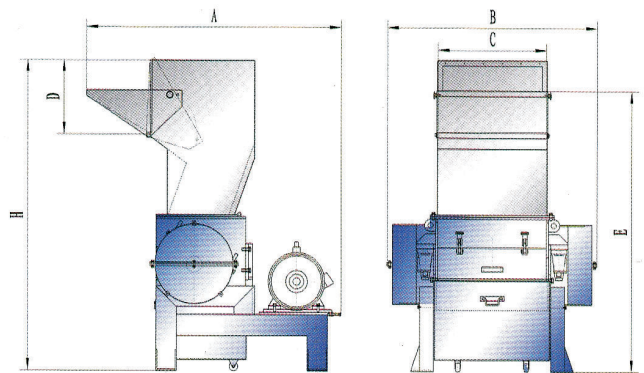
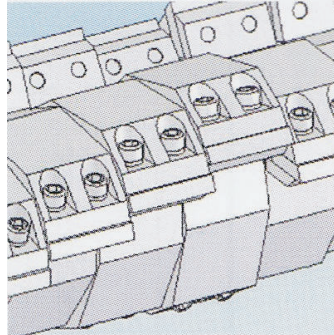


JKS

WOOD & METAL
MACHINES

Mlýn na změnu frakce štěpek



Item	Model	Unit	PC3260	PC3280	PC4280	PC42100
A		(mm)	1580	1720	1765	1765
B		(mm)	1450	1630	1660	1900
C		(mm)	600	800	800	1000
D		(mm)	410	410	550	550
E		(mm)	1420	1465	1845	1845
H		(mm)	1860	1910	2435	2435
Rotor Diameter		(mm)	φ 320	φ 320	φ 420	φ 420
Main Shaft Speed		(r/min)	580	580	530	530
Screen Mesh		(mm)	φ 12	φ 12	φ 12	φ 12
Rotor-knives		(PCS)	3X2	3X2	3X2	3X2
Stator-knives		(PCS)	2X2	2X2	2X2	2X2
Main Motor Power		(KW)	15	22	37	45
Weight		(KG)	1470	1730	2800	3230